

PATENT DISCLOSURE

Inventor: Ladislao Pazmany

Date: February 3, 1969

Title: Stick-on Binder

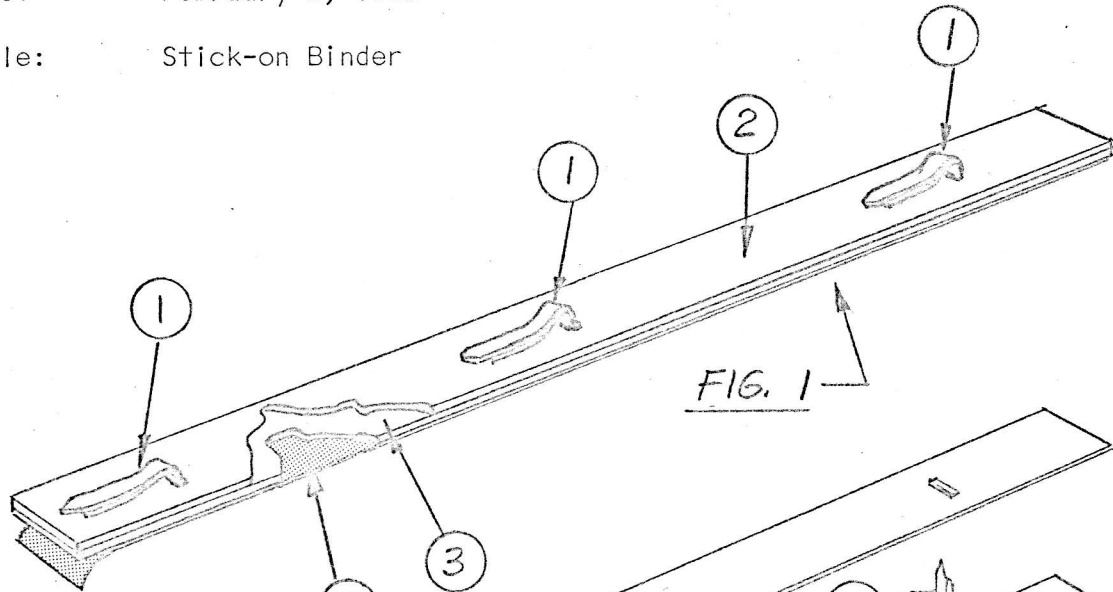


FIG. 1

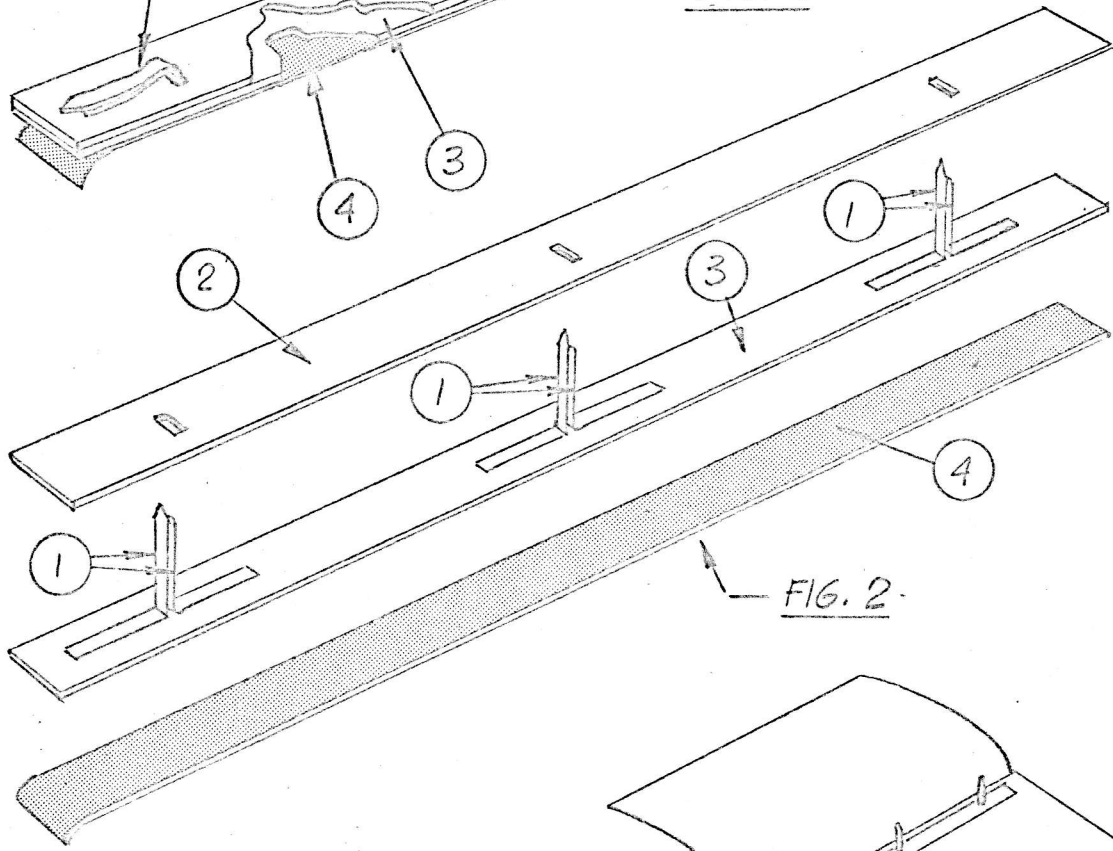


FIG. 2

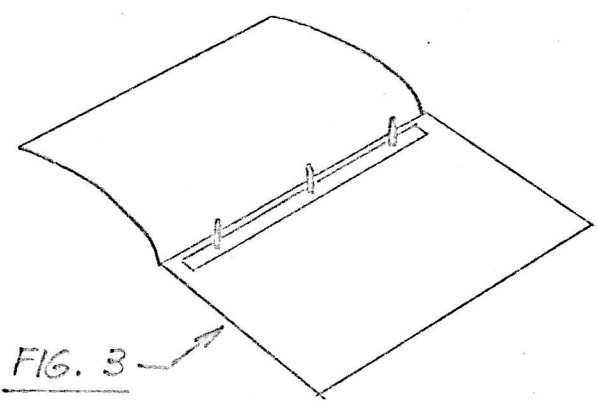


FIG. 3